

# Storm-proof elegance

The Brustor B-2085 & B-2100 are windproof drop arm awnings with a storm proof fixed arm. The fabric is protected in an extruded aluminium full cassette casing. Thanks to the heavy duty springs in the arm the fabric stays under perfect tension at all times. Both awnings can drop up to 135°. The maximum width is 5m for a single unit and 6m for a coupled one.

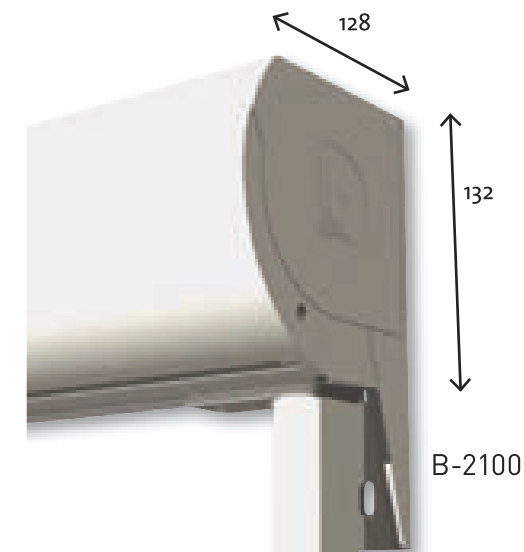


**BRUSTOR**  
**B-2085**  
**B-2100**



B-2085

DIMENSIONS	B-2085	B-2100
width	min. 0,80 m max. 3,40 m	min. 0,80 m max. 5,00 m - coupled to 6,00 m
projection	min: 0,80 m. tot 1,40 m. depending width and fabric	
operation	gear - motor (optional)	
fabric	Screen - Soltis - Acrylic	
COLOURS	B-2085	B-2100
	<input type="checkbox"/> White RAL 9010. Other colours optional.	<input type="checkbox"/> White RAL 9010, <input type="checkbox"/> brown RAL 8019, <input type="checkbox"/> cream RAL 9001. Other colours optional.



B-2100